

Laboratorium Techniki Budowlanej
Sp. z o.o.
Dąbrowa Górnicza 41-306, ul. Łaski 83
NIP 6292465943; KRS 0000447876
Jednostka notyfikowana/Notified body 1827
www.LTB.org.pl



AB 661

tel/fax: (+48) 32 26 4 079 kom: 608 50 66 32; 608 50 66 35; 604 97 62 07
Bank Śląski S.A. o/Dąbrowa Górnicza nr 17 1050 1360 1000 0023 6773 9022

Initial Type Testing Certificate
pertinent to Standard EN 14351-1+A1

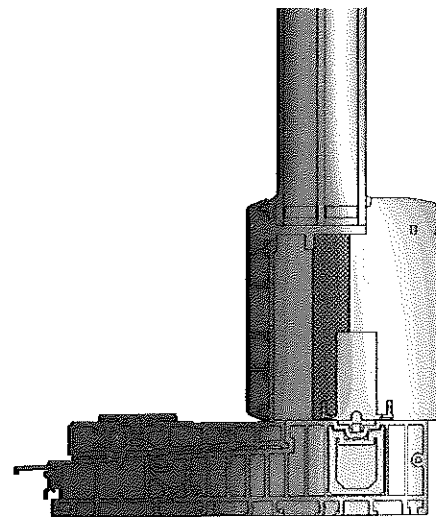
No 228/B – 2013 – 13

Laboratorium Techniki Budowlanej used the calculation method, in accordance with Standard EN ISO 10077-1:2006 and EN ISO 10077-2:2012, to define the thermal insulation of 1-fixed and 1 sash alu-wooden sliding door of *Thermax Ultra* system described in test report 228/B-2013, manufactured by:

SŁOWIŃSCY Sp. J.

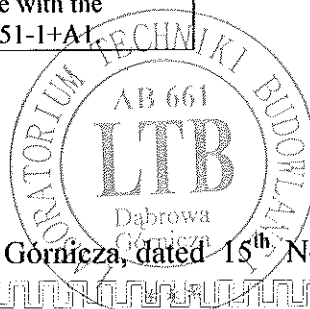
ul. Wspólna 2
62-400 Słupca

Test's results		
Cross section	Value	
	U_f	Ψ
Head – top rail	1,2	0,030
Threshold – bottom rail	0,97	0,031
Frame – fixed light (head)	0,89	0,031
Threshold – fixed light	1,3	0,031
Frame – sash (left side)	0,96	0,031
Frame – fixed light (right side)	0,88	0,030
Sash – mullion	1,5	0,030
IGU U_g [W/m ² K]	0,5 (4/18/4/18/4)	
U_D [W/m ² K] for sliding door 4,0 x 2,5 m	0,68	
The results of the examination refer only to the tested sample and the test conditions. The parameters for other objects should be declared in compliance with the provisions specified in standard EN 14351-1+A1.		



Quality Manager

Andrzej Żyła
mgr inż. Andrzej Żyła



Engineering Manager

Bogdan Wojtowicz
mgr inż. Bogdan Wojtowicz

Dąbrowa Górnicza, dated 15th November 2013 r.



Laboratorium Techniki Budowlanej
Sp. z o.o.
Dąbrowa Górnicza 41-306, ul. Łaski 83
NIP 6292465943; KRS 0000447876
Jednostka notyfikowana/Notified body 1827
www.LTB.org.pl



tel/fax: (+48) 32 26 4 079 kom: 608 50 66 32; 608 50 66 35; 604 97 62 07
Bank Śląski S.A. o/Dąbrowa Górnicza nr 17 1050 1360 1000 0023 6773 9022

AB 661

Initial Type Testing Certificate
pertinent to Standard EN 14351-1+A1

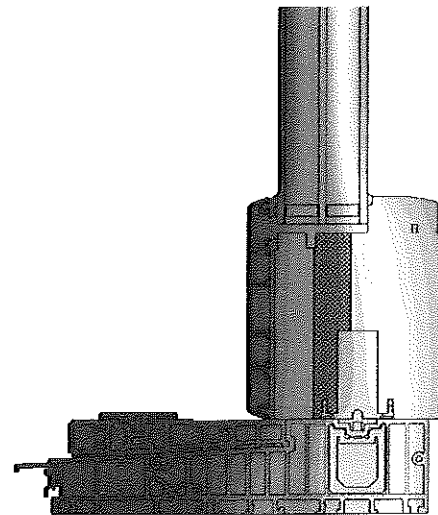
№ 228/B – 2013 – 14

Laboratorium Techniki Budowlanej used the calculation method, in accordance with Standard EN ISO 10077-1:2006 and EN ISO 10077-2:2012, to define the thermal insulation of 1-fixed and 1 sash alu-wooden sliding door of *Thermax Ultra* system described in test report 228/B-2013, manufactured by:

SŁOWIŃSCY Sp. J.

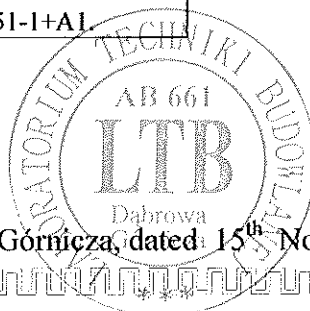
ul. Wspólna 2
62-400 Słupca

Test's results		
Cross section	Value	
	U_f	Ψ
Head – top rail	1,2	0,030
Threshold – bottom rail	0,97	0,031
Frame – fixed light (head)	0,89	0,031
Threshold – fixed light	1,3	0,031
Frame – sash (left side)	0,96	0,031
Frame – fixed light (right side)	0,88	0,030
Sash – mullion	1,5	0,030
IGU U_g [W/m ² K]	0,5 (4/18/4/18/4)	
U_D [W/m ² K] for sliding door 6,0 x 3,0 m	0,63	
The results of the examination refer only to the tested sample and the test conditions. The parameters for other objects should be declared in compliance with the provisions specified in standard EN 14351-1+A1.		



Quality Manager

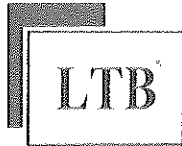
mgr inż. Andrzej Żyła



Engineering Manager

mgr inż. Bogdan Wojtowicz

Dąbrowa Górnicza, dated: 15th November 2013 r.



Laboratorium Techniki Budowlanej
Sp. z o.o.
Dąbrowa Górnicza 41-306, ul. Laski 83
NIP 6292465943; KRS 0000447876
Jednostka notyfikowana/Notified body 1827
www.LTB.org.pl



AB 661

tel/fax: (+48) 32 26 4 079 kom: 608 50 66 32; 608 50 66 35; 604 97 62 07
Bank Śląski S.A. o/Dąbrowa Górnicza nr 17 1050 1360 1000 0023 6773 9022

**Initial Type Testing Certificate
pertinent to Standard EN 14351-1+A1**

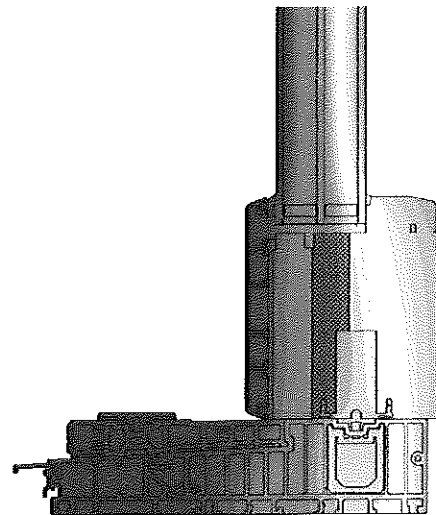
№ 228/B – 2013 – 15

Laboratorium Techniki Budowlanej used the calculation method, in accordance with Standard EN ISO 10077-1:2006 and EN ISO 10077-2:2012, to define the thermal insulation of 2-fixed and 2 sashes alu-wooden sliding door of *Thermax Ultra* system described in test report 228/B-2013, manufactured by:

SŁOWIŃSCY Sp. J.

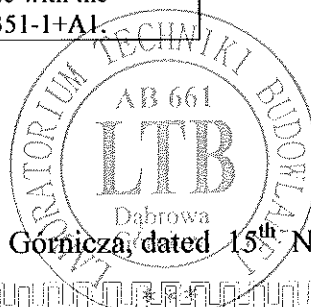
ul. Wspólna 2
62-400 Słupca

Test's results		
Cross section	Value	
	U_f	Ψ
Head – top rail	1,2	0,030
Threshold – bottom rail	0,97	0,031
Frame – fixed light (head)	0,89	0,031
Threshold – fixed light	1,3	0,031
Sash – sash	0,99	0,030
Frame – fixed light	0,88	0,030
Sash – mullion	1,5	0,030
IGU U_g [W/m ² K]	0,5 (4/18/4/18/4)	
U_D [W/m ² K] for sliding door 8,0 x 2,5 m	0,68	
The results of the examination refer only to the tested sample and the test conditions. The parameters for other objects should be declared in compliance with the provisions specified in standard EN 14351-1+A1.		



Quality Manager

mgr inż. Andrzej Żyła



Engineering Manager

mgr inż. Bogdan Wójtowicz

Dąbrowa Górnicza, dated 15th November 2013 r.



Laboratorium Techniki Budowlanej
Sp. z o.o.
Dąbrowa Górnicza 41-306, ul. Łaski 83
NIP 6292465943; KRS 0000447876
Jednostka notyfikowana/Notified body 1827
www.LTB.org.pl



tel/fax: (+48) 32 26 4 079 kom: 608 50 66 32; 608 50 66 35; 604 97 62 07
Bank Śląski S.A. o/Dąbrowa Górnicza nr 17 1050 1360 1000 0023 6773 9022

AB 661

Initial Type Testing Certificate
pertinent to Standard EN 14351-1+A1

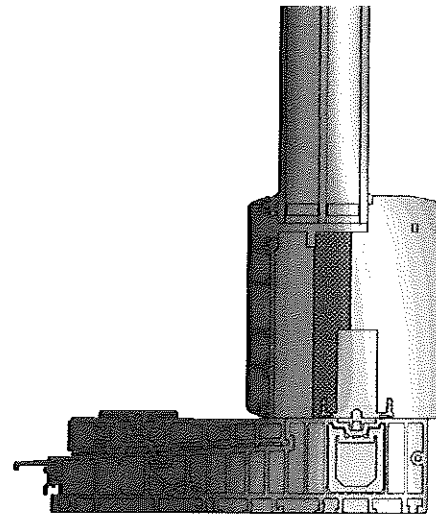
№ 228/B – 2013 – 16

Laboratorium Techniki Budowlanej used the calculation method, in accordance with Standard EN ISO 10077-1:2006 and EN ISO 10077-2:2012, to define the thermal insulation of 2-fixed and 2 sashes alu-wooden sliding door of *Thermax Ultra* system described in test report 228/B-2013, manufactured by:

SŁOWIŃSCY Sp. J.

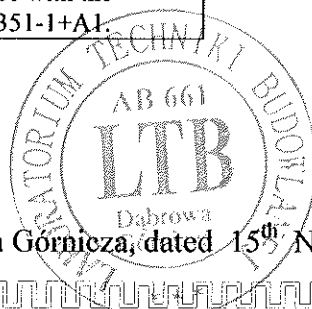
ul. Wspólna 2
62-400 Słupca

Test's results		
Cross section	Value	
	U_f	Ψ
Head – top rail	1,2	0,030
Threshold – bottom rail	0,97	0,031
Frame – fixed light (head)	0,89	0,031
Threshold – fixed light	1,3	0,031
Sash – sash	0,99	0,030
Frame – fixed light	0,88	0,030
Sash – mullion	1,5	0,030
IGU U_g [W/m ² K]	0,5 (4/18/4/18/4)	
U_D [W/m ² K] for sliding door 13,3 x 3,0 m	0,64	
The results of the examination refer only to the tested sample and the test conditions. The parameters for other objects should be declared in compliance with the provisions specified in standard EN 14351-1+A1.		



Quality Manager

mgr inż. Andrzej Żyła



Engineering Manager

mgr inż. Bogdan Wójtowicz

Dąbrowa Górnicza, dated 15th November 2013 r.